



OMNTEC
Advanced Tank Monitoring & Leak Detection

PROTEUS®
Mini-ME™

UNIVERSAL OUTDOOR REMOTE DISPLAY MMRD7-SS

Building upon the foundation of reliability and performance that has made our PROTEUS a trusted name, we are now offering our Mini-Me Remote Display in a NEMA 4X stainless steel weatherproof enclosure.

PROTEUS Mini-Me is a color graphic display providing Automatic Tank Gauge (ATG) users the freedom to gain access to current tank gauging, leak detection and alarm status from ATG consoles.

Automatic Tank Gauges monitor storage vessels for level, temperature, volume and potential leaks. Typically, ATG's are located where audio visual alarms and level information are not conveniently accessible due to installation constraints. These tank gauges are often difficult to use and understand. They are installed in locations that are out of the operator's normal work area therefore rendering potential alarms unnoticed.

PROTEUS Mini-Me allows the user to easily and intuitively gain access to these alarms and level information anywhere throughout a facility. It provides both wired and wireless access to industry standard ATG's providing easily accessible information where required.



VITAL TANK VISIBILITY WHERE IT COUNTS

FEATURES

- Color 7-inch graphic display with capacitive touch screen
- TCP/IP | RS-485 | RS-232 communications standard
- Weatherproof enclosure
- Ability to view leak sensor alarms and tank inventory remotely
- Audible and visual alarms
- Connects to any industry standard ATG
- Allows freedom to locate main ATG in a convenient/economical location
- Wireless option
- Wide viewing angle
- Easy to install
- Easy to use
- Remote software update capable

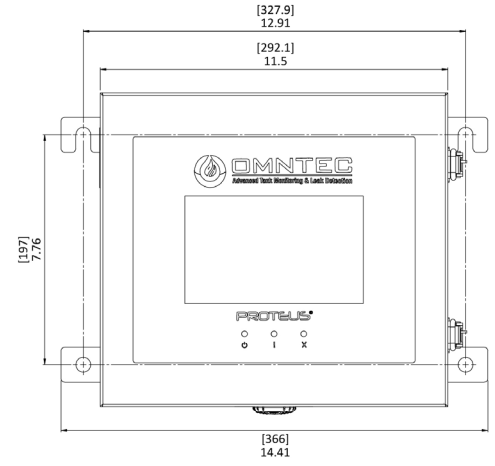
PROTEUS® Mini-ME™

UNIVERSAL OUTDOOR REMOTE DISPLAY

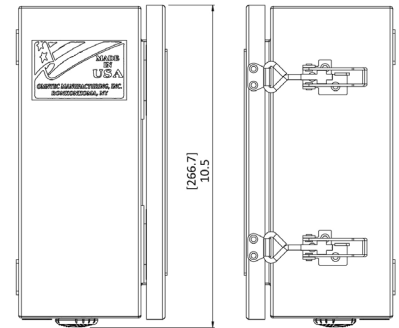
SPECIFICATIONS

Input Power	100-240 VAC +/- 10% 50/60 Hz 30 watts	
Display	Color 7-inch graphic display with capacitive touch screen	
Audible alarm	85 dB piezoelectric horn	
System status	3 LED's (Power, Warning, Alarm)	
Operating Temperature	-22 to 140° F (-30° to 60° C)	
Outdoor Rating	NEMA 4X	
Standard Communications	TCP/IP RS-485 RS-232	
Models Available	MMRD7-SS	
Accessories	WRS-232	Wireless RS-232 link includes both tank gauge and remote transceivers and (2) RD-232C-75 cables
	WRS-232XR	Long range wireless RS-232 link includes both tank gauge and remote transceivers (up to 1 mile)
	ENC-4X-WRS-232	Nema 4X fiberglass enclosure for WRS-232 transceivers (2 required)
	RD-232C-75	75' RS-232 cable
	C232-422-RD7CTS	RS-232-422 Booster Kit to increase distance of RS-232 output 3,000 feet (Includes 2 converters and 2 power transformers)
Weight	14 lbs. (6.4 kg)	
Dimensions	(h) 10.5" (w) 14.41" (d) 5.08"	

IMPORTANT: Specifications subject to change without notice, verify with manufacturer.

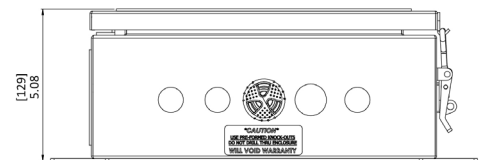


FRONT VIEW



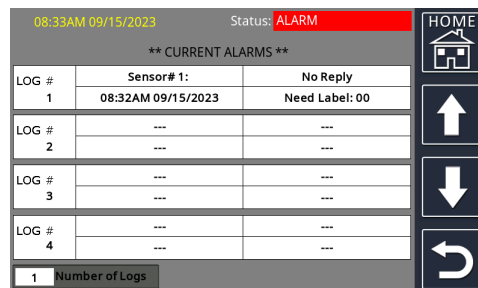
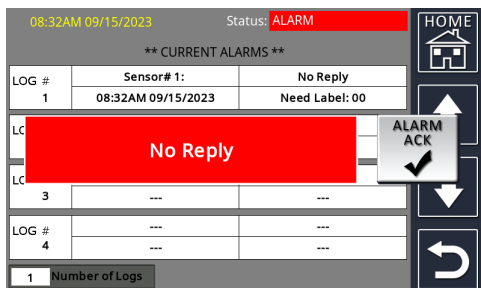
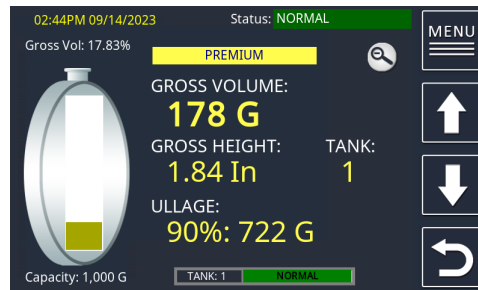
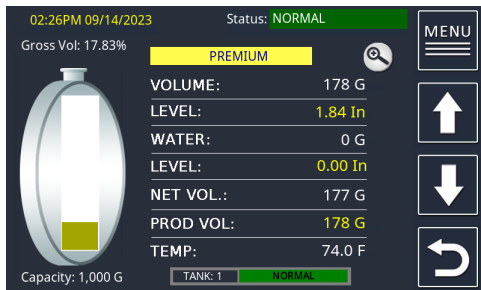
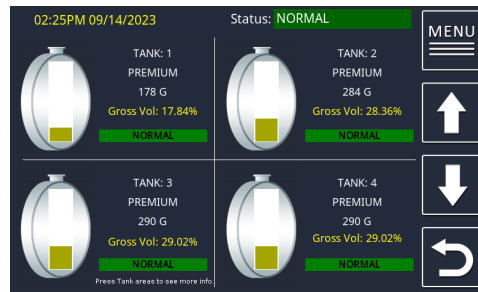
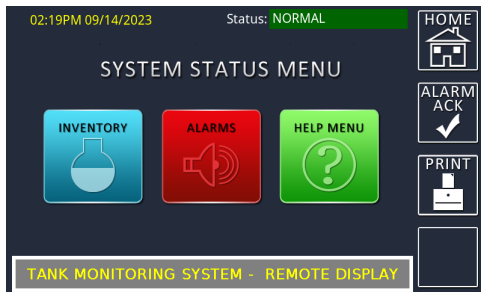
LEFT VIEW

RIGHT VIEW



BOTTOM VIEW

MINI-ME DISPLAY SCREENS



OMNTEC
 OMNTEC Mfg., Inc.
 2420 Pond Road,
 Ronkonkoma, NY 11779
 +1.631.981.2001
 +1.631.981.2007
 omntec@omntec.com
 www.omntec.com